

# ZOOMLION TRUCK CRANE ZTC600R532



**ZOOMLION**

**Zoomlion Heavy Industry Science & Technology Co.,Ltd.**

**Add: No.677, Lugu Road, Zoomlion Industrial Park, Changsha, Hunan, China, 410205**

Copyright©2019 Zoomlion. All rights reserved. Reproduction and copying of any part of contents is not allowed for any purposes without Zoomlion's approval.



Product specifications are subject to change without notice and obligation. The photographs and/or drawing in this document are for illustrative purposes only. Please consult your local ZOOMLION dealer for more information.  
website:en.zoomlion.com 2020.05.08

**ZOOMLION**

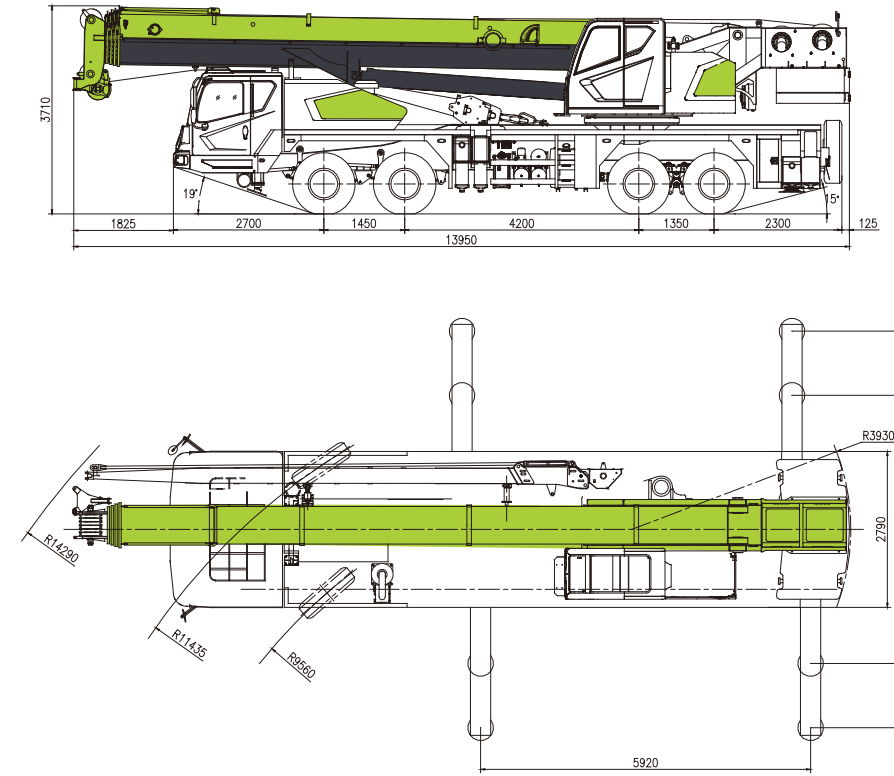
**4.0**  
PRODUCTS



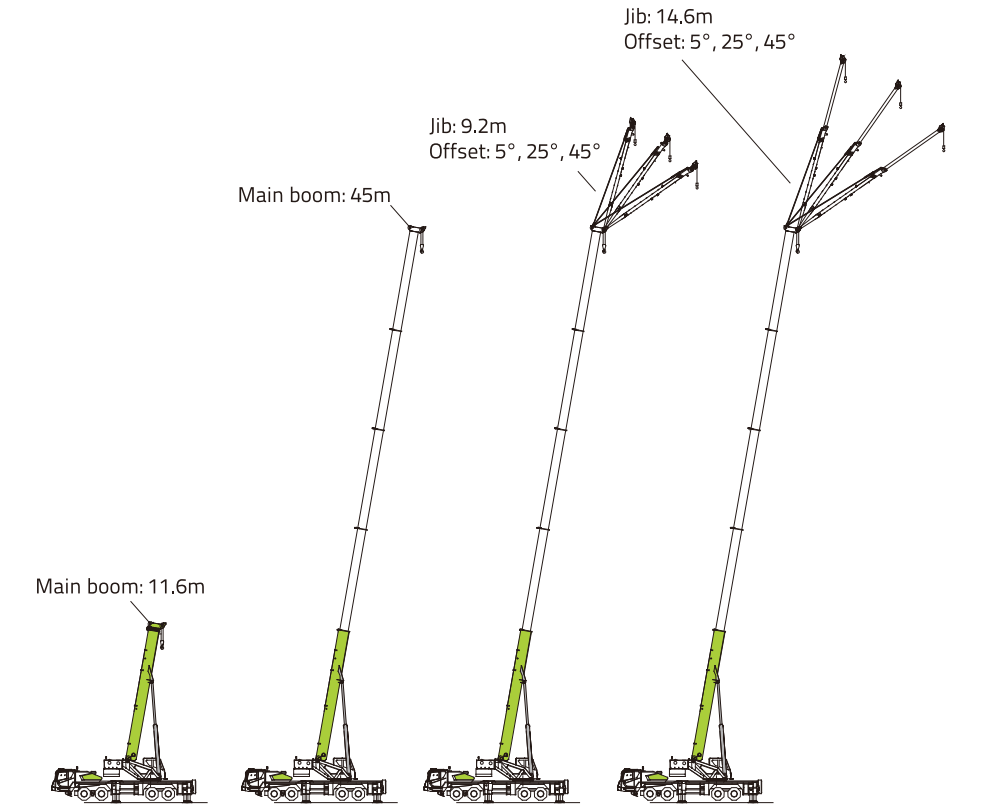
# CONTENTS

CRANE DIMENSIONS .....	2
BOOM / JIBS COMBINATION .....	2
CRANE AND COMPONENT WEIGHTS .....	3
LIFTING HEIGHT CURVE .....	4
LIFTING CAPACITY TABLES .....	4-7
TECHNICAL SPECIFICATIONS .....	7
MAIN TECHNICAL PARAMETERS .....	8

## CRANE DIMENSIONS



## BOOM / JIBS COMBINATION



## CRANE AND COMPONENT WEIGHTS

Axle	1	2	3	4	Total weight
T	8	8	13	13	42

### Hook Detailed Description

Hook Load T	No. of Sheaves	No. of Lines	Weight Kg	Remark
60	6	12	510	optional
55	6	12	510	standard
4.5	1	1	140	standard

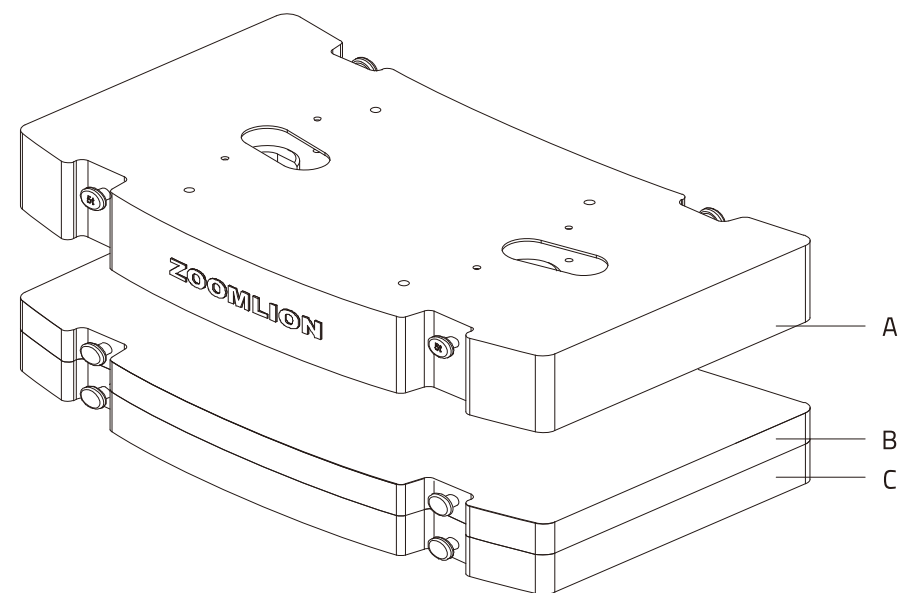
### Working Speed

Icon	km/h MAX.	Icon	Icon
13R22.5	85	47	10 / R2

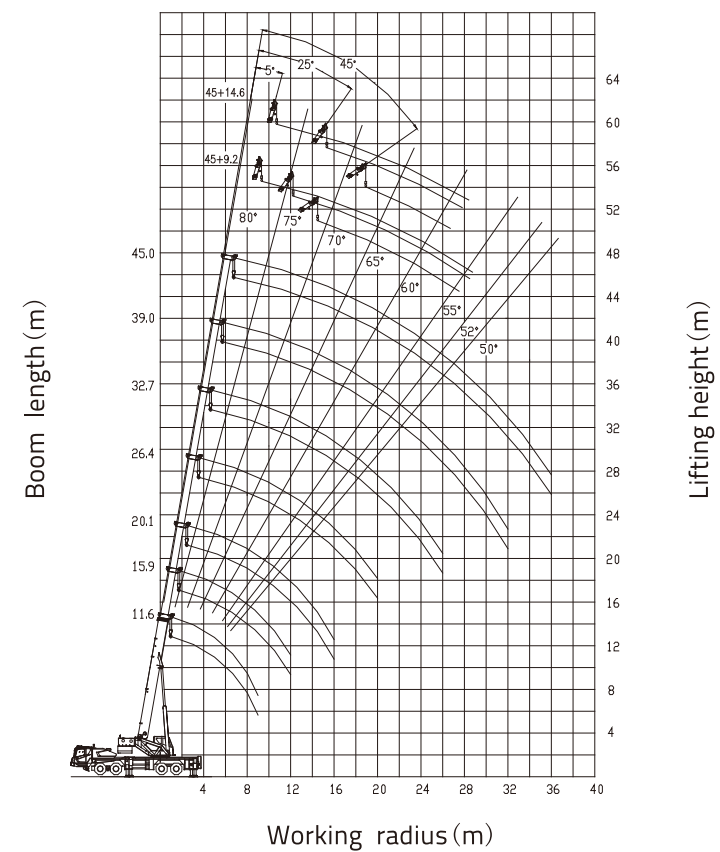
Drive	Operation Speed	Rope diameter/length	Max. single line pull
1	125m/min	Φ17mm/210m	5000Kg
2	125m/min	Φ17mm/130m	5000Kg
360	0 ~ 2.2r/min		
Icon	45/125s		
Icon	95/110s		

### Counterweight

Counterweight	Size(L*W*H) mm	Weight T	5T	7.5T	11T
A	2500*1320*350	5	1	1	1
B	2500*1320*200	2.5	-	1	1
C	2500*1320*385	3.5	-	-	1



## LIFTING HEIGHT CURVE



## LIFTING CAPACITY TABLES

Unit: kg

Working radius (m)	Main boom (m)								
	Telescoping cylinder I and outrigger fully extended, over rear and sides, 11T counterweight								
	11.6	15.9	20.1	26.4	32.7	39.0	45.0		
3.0	60000*	45500	35500						
3.5	51500	45500	35500						
4.0	48000	45500	35500						
4.5	45000	43500	35500	27000					
5.0	41500	41000	33500	27000					
5.5	38000	37000	31500	27000					
6.0	34500	33800	30000	26000	19800				
6.5	31500	30700	29000	25000	19800				
7.0	29000	28000	28000	24000	19800				
7.5	27000	27000	26000	23000	19000				
8.0	26000	26000	25000	22000	18400	14400			
9.0	21500	21000	21000	20000	17000	13600			
10.0		17200	17000	18000	15800	12800	10000		
11.0		14200	14000	15000	14500	12000	9600		
12.0		12200	12000	13000	13200	11500	9200		
14.0			8800	9800	10500	10000	8400		
16.0			6600	7600	8300	8800	7600		
18.0				5900	6500	7000	7000		
20.0				4600	5200	5700	6000		
22.0					4200	4600	4900		
24.0						3400	3800	4100	
26.0							2700	3100	3400
28.0								2500	2800
30.0								2000	2300
32.0								1600	1900
34.0									1500
36.0									1200
38.0									900
I (m)	0	4.3	8.5	8.5	8.5	8.5	8.5	8.5	
II (m)	0	0	0	6.3	12.6	18.9	24.9		
Reeving	12	10	8	6	4	4	3		
Hook									55t

Note: Those points marked with "\*" are only applicable by using 60T hook.

# LIFTING CAPACITY TABLES

Unit: kg

Working radius (m)	Main boom (m)						
	Telescoping cylinder I and outrigger fully extended, over rear and sides, 7.5T counterweight						
	11.6	15.9	20.1	26.4	32.7	39.0	45.0
3.0	60000*	45500	35500				
3.5	51500	45500	35500				
4.0	48000	45500	35500				
4.5	45000	43500	35500	27000			
5.0	41500	41000	33500	27000			
5.5	37400	37000	31500	27000			
6.0	34000	33800	30000	26000	19800		
6.5	31200	30700	29000	25000	19800		
7.0	28600	28000	28000	24000	19800		
7.5	26200	26000	26000	23000	19000		
8.0	24000	24000	24000	22000	18400	14400	
9.0	19800	19200	19000	20000	17000	13600	
10.0		15400	15200	16500	15800	12800	10000
11.0		12500	12300	13500	14000	12000	9600
12.0		10500	10300	11500	12200	11500	9200
14.0			7300	8500	9200	9600	8400
16.0			5200	6400	7100	7500	7600
18.0				4800	5500	5900	6200
20.0				3700	4300	4700	5000
22.0					3400	3800	4100
24.0					2700	3100	3400
26.0					2000	2400	2700
28.0						1900	2200
30.0						1500	1800
32.0						1100	1400
34.0							1100
36.0							800
I (m)	0	4.3	8.5	8.5	8.5	8.5	8.5
II (m)	0	0	0	6.3	12.6	18.9	24.9
Reeving	12	10	8	6	4	4	3
Hook	55t						

Note: Those points marked with "\*" are only applicable by using 60T hook.

Unit: kg

Working radius (m)	Main boom (m)						
	Telescoping cylinder I and outrigger fully extended, over rear and sides, 5T counterweight						
	11.6	15.9	20.1	26.4	32.7	39.0	45.0
3.0	60000*	45500	35500				
3.5	51500	45500	35500				
4.0	48000	45500	35500				
4.5	45000	43500	35500	27000			
5.0	41500	41000	33500	27000			
5.5	37400	37000	31500	27000			
6.0	34000	33800	30000	26000	19800		
6.5	31200	30700	29000	25000	19800		
7.0	28600	28000	28000	24000	19800		
7.5	26000	26000	25000	23000	19000		
8.0	23000	22400	22000	22000	18400	14400	
9.0	18000	17400	17000	18500	17000	13600	
10.0		14000	13600	14900	15800	12800	10000
11.0		11400	11000	12400	13000	12000	9600
12.0		9500	9100	10400	11000	11500	9200
14.0			6300	7500	8100	8600	8400
16.0			4300	5500	6100	6600	7000
18.0				4100	4700	5200	5500
20.0				3000	3600	4100	4400
22.0					2800	3200	3500
24.0					2100	2500	2800
26.0					1600	2000	2200
28.0						1500	1700
30.0						1100	1300
32.0							1000
34.0							
36.0							
I (m)	0	4.3	8.5	8.5	8.5	8.5	8.5
II (m)	0	0	0	6.3	12.6	18.9	24.9
Reeving	12	10	8	6	4	4	3
Hook	55t						

# LIFTING CAPACITY TABLES

Unit: kg

Main boom angle (°)	Main boom (m) + jibs (m)					
	Telescoping cylinder I and outrigger fully extended, over rear and sides, 11T counterweight					
	45.0+9.2			45.0+14.6		
	5°	25°	45°	5°	25°	45°
80	4000	2400	1400	2600	1400	1100
78	3900	2400	1400	2600	1350	1100
76	3800	2400	1400	2500	1300	1100
74	3500	2200	1350	2300	1250	1050
72	3200	2100	1350	2100	1200	1050
70	3000	2000	1300	1900	1200	1050
68	2800	1900	1300	1800	1150	1000
66	2600	1800	1250	1700	1150	1000
64	2400	1700	1250	1600	1100	1000
62	2200	1600	1200	1500	1100	950
60	2100	1500	1200	1400	1050	950
58	2000	1400	1150	1300	1050	950
56	1700	1300	1100	1200	1000	900
54	1500	1200	1050	1100	1000	900
52	1200	1100	1000	1050	950	850
50	1000	950	900	950	900	850
Reeving	1					
Hook	4.5t					

Unit: kg

Main boom angle (°)	Main boom (m) + jibs (m)					
	Telescoping cylinder I and outrigger fully extended, over rear and sides, 7.5T counterweight					
	45.0+9.2			45.0+14.6		
	5°	25°	45°	5°	25°	45°
80	4000	2400	1400	2600	1400	1100
78	3900	2400	1400	2600	1350	1100
76	3800	2400	1400	2500	1300	1100
74	3500	2200	1350	2300	1250	1050
72	3200	2100	1350	2100	1200	1050
70	3000	2000	1300	1900	1200	1050
68	2800	1900	1300	1800	1150	1000
66	2400	1800	1250	1600	1150	1000
64	2200	1600	1200	1500	1050	1000
62	2000	1500	1150	1400	1000	900
60	1700	1400	1100	1300	950	850
58	1400	1300	1050	1200	900	850
56	1100	1000	950	1100	850	800
54	900	850	800	900	800	750
Reeving	1					
Hook	4.5t					



## LIFTING CAPACITY TABLES

Unit: kg

Main boom angle (°)	Main boom (m) + jibs (m)					
	Telescoping cylinder I and outrigger fully extended, over rear and sides, 5T counterweight					
	45,0+9,2			45,0+14,6		
	5°	25°	45°	5°	25°	45°
80	4000	2400	1400	2600	1400	1100
78	3900	2400	1400	2600	1350	1100
76	3800	2400	1400	2500	1300	1100
74	3500	2200	1350	2300	1250	1050
72	3200	2100	1350	2100	1200	1050
70	2800	2000	1300	1900	1200	1050
68	2600	1800	1250	1700	1100	1000
66	2200	1700	1200	1500	1050	950
64	2000	1500	1150	1400	1000	900
62	1600	1400	1100	1300	950	850
60	1300	1100	1050	1200	900	800
58	1000	900	850	950	850	750
56	800					
Reeving	1					
Hook	4.5t					

## TECHNICAL SPECIFICATIONS

### Crane Superstructure

<b>Main boom</b>	5 section U-shaped main boom can telescope via ropes and sheaves, main boom length: 11.6m-45m.
<b>Jib</b>	2 sections foldable jibs, side layout, open from bottom. Jib offset 5°,25°,45°.
<b>Slewing gear</b>	Hydraulic fixed displacement motor, planetary reducer and slewing bearing,Free swing function.
<b>Hoisting gear</b>	Dual winches with variable displacement piston motors and planetary reducers. Wire rope diameter:17mm.
<b>Hydraulic system</b>	Advanced hydraulic proportional control system with hydraulic pilot control joystick. Variable displacement pump plus dual gear pumps offer oil for all the movements. Hydraulic tank 840 liters.
<b>Electrical system</b>	DC 24V, superstructure and chassis electrical system offers a comfortable operation.
<b>Operator's cab</b>	New cab with spacious room and man-machine friendly layout offers a comfortable operating experience. Up to 20°tiltable function. AC and heater.
<b>Safety devices</b>	LMI, limit switch, relief valve, emergency stop button etc.
<b>Counterweight</b>	Standard counterweight 7.5T ( 5T fixed CWT and 2.5T auxiliary CWT). One piece 3.5T flexible optional counterweight together with ballasting system. Max. total counterweight is 11T.

### Crane Carrier

<b>Chassis frame</b>	Made by ZOOMLION with high-tensile steel plate.
<b>Outrigger</b>	2 stage H-type outriggers with wide spread 6.38m(W)*8m(L).
<b>Engine</b>	WEICHAI WP10.375E32 diesel engine, output 276KW, max. torque 1650N*m. Fuel tank 400 liters.
<b>Transmission</b>	FAST mechanical gear box with 10 forward gears and 2 reverse gears.
<b>Axles</b>	Front 2 Axles Are Steering And Last 2 Axles Are Driving.
<b>Suspension</b>	Front Axle Leaf Steel Spring Suspension And Rear Axle Rubber Suspension With Thrust Rod And Balanced Beams.
<b>Steering</b>	Front 2 Axles Steering With Power Steering Assistant System.
<b>Brake</b>	Service brake, parking brake and emergency brake and auxiliary brake.
<b>Tires</b>	Total 12 Tires With One Spare Tire, Tire Size: 13.00r22.5.
<b>Driver's cab</b>	Modern and luxury driver's cab with man-machine friendly layout offers a comfortable operating experience. AC and heater.

## MAIN TECHNICAL PARAMETERS

Item		Value	Remarks
Working performance	Max. rated lifting capacity	kg	60000
	Max. load moment of basic boom	kN.m	2033
	Max. load moment of Max. length main boom	kN.m	1235
	Max. lifting height of basic boom	m	12.8
	Max. lifting height of main boom	m	45.7
	Max. lifting height of jib	m	61.5
Working speeds	Max. hoist rope speed (Main winch)	m/min	125
	Max. hoist rope speed (Auxiliary winch)	m/min	125
	Boom derricking up time	s	45
	Boom telescoping out time	s	95
	Slewing speed	r/min	0~2.2
Driving	Max. working altitude	m	2000
	Max. driving speed	km/h	90
	Max. gradeability	%	47
	Min. turning diameter	m	≤23
	Min. ground clearance	mm	285
	Oil consumption per hundred kilometer	L	43
Mass	Deadweight in driving condition	kg	42000
	Complete vehicle kerb mass	kg	41805
	Front axle load	kg	16000
	Rear axle load	kg	26000
Dimension	Overall dimensions (L×W×H)	mm	13950×2800×3710
	Outrigger spread (W)	m	5.92
	Outrigger spread (L)	m	Fully extended: 7.10, Half extended: 4.80
	Tail slewing radius	mm	3930
	Main boom length	m	11.6 ~ 45.0
	Main boom angle	°	-1 ~ 80
	Jib length	m	9.2, 14.6
	Offset	°	5, 25, 45
			Excluded 3.5 t & 2.5t auxiliary counterweights
			These parameters do not include deflection of boom and jib.
			At 4 <sup>th</sup> layer
			At 4 <sup>th</sup> layer
			Side layout, open from bottom

# Z-ASSET MANAGEMENT

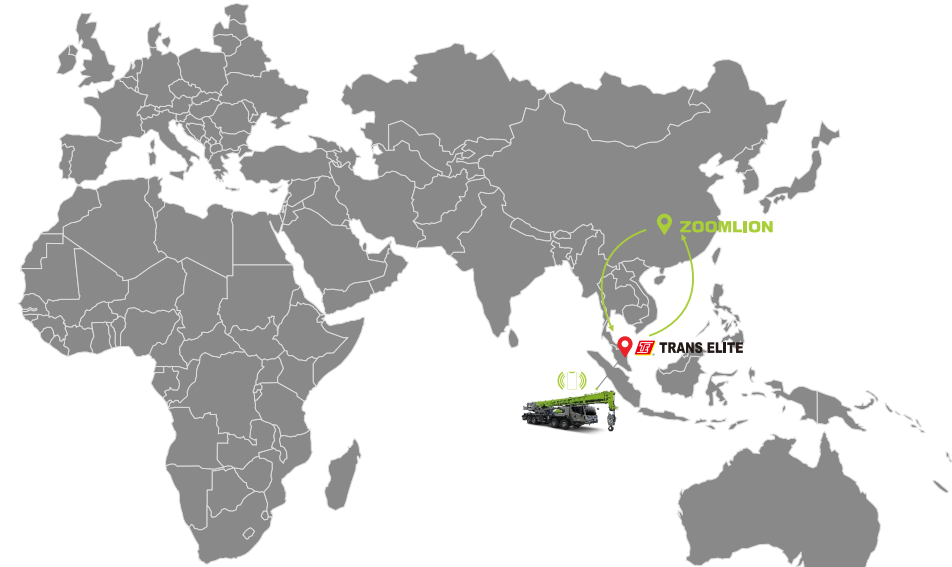
## ZVALLEY INTELLIGENT MANAGEMENT CLOUD PLATFORM FOR CONSTRUCTION EQUIPMENT

Zvalley 'Z-Asset Management' is an intelligent management software product for construction machinery equipment integrating industrial internet and big data. 'Z-Asset Management' is committed to creating a management model with IoT data as the core, it is really effective in reducing the cost of equipment use, improving the efficiency of equipment use, and creating high profit value.

- Equipment management**  
Equipment distribution and trajectory equipment archives, working condition, remote locking & unlocking machine
- Working condition statistics**  
Operating data statistics such as working hours and fuel consumption, data ranking
- Project management**  
Project list, project geographic location, electronic fence, project operation abnormalities
- Abnormality alarm and maintenance**  
Abnormal reminder, abnormal details, maintenance reminder, maintenance record, maintenance advice

### MILESTONES

- April 2019** - Z-Valley signed MOU with Trans Elite on Munich BAUMA, to cooperate in IoT, big data, industrial AI areas.
- July 2019** - Start to develop APP for construction machineries management by using IoT solutions.
- October 2019** - Finish IoT terminal assembly and test with APP.
- December 2019** - Finish all the APP 'Z-Asset' function test and imitated user test.
- March 2020** - The project has been through internal assessment and APP ready for launch.
- April 2020** - Available option for Malaysia customers. More details please contact our local sales representatives.



# Z-ASSET MANAGEMENT APP

### Data statistics

### Alarm management

### Project management

### Equipment distribution

### Maintenance

### Abnormal operation alarm

There is also PC version online for same usage. For more details, please consult our local sales representatives.